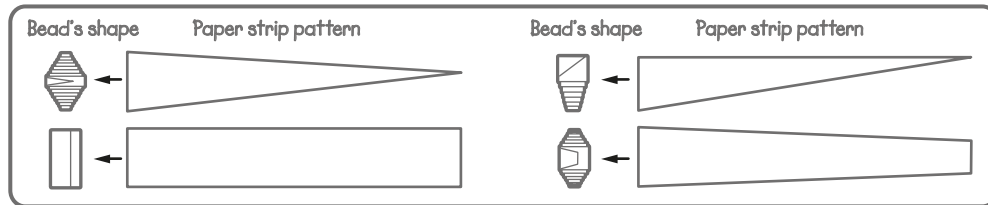


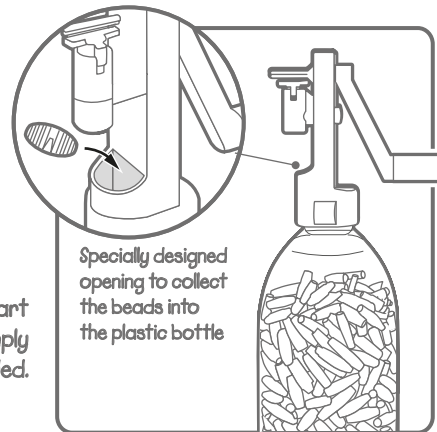
#### D. MAKING RECYCLED BEADS

Around the world, millions of tons of paper are disposed of as rubbish every day. Why not recycle some paper to make colourful beads and turn them to jewellery and accessories. They are a unique gift that you can send to friends and which delivers a GREEN message.

Most paper can be recycled to make paper beads. You can use newspaper, pages of a magazine or gift wrap. All of which are of the right thickness to fit nicely into the winding tool. Cut the paper into strips of 20 cm. Different shapes of paper strip will result in different shaped beads. See the diagram below for reference.

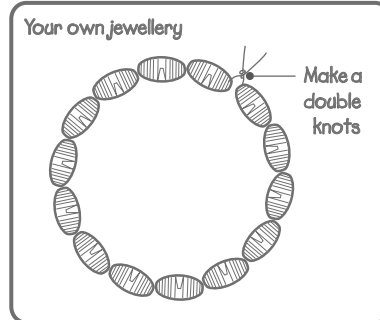


Your paper beads winding tool has a specially designed screw cap which fits most plastic bottle openings. Simply unscrew the handle before screwing it onto the top of an empty, clean plastic drink bottle. A super cool paper beads winding tool with a container base is formed! There is an opening which allows you to collect your finished beads in the bottle.



#### E. MAKING YOUR VERY OWN GREEN JEWELLERY

Once you have made a pile of beads, you are ready to start stringing them into a beautiful bracelet or necklace. Simply string the beads together with the elastic string provided. It's fun and easy!



#### F. OTHER SUGGESTIONS

When you have a big collection of the paper beads, you can do big projects like a curtain or mosaic picture. The fun is unlimited!

**PAPER BEAD CURTAIN:** String 30 -40 pieces of the paper beads in mobiles. Tie them onto a wooden stick to make a beautiful paper beads curtain.

**BEAD MOSAIC:** Use the paper beads as mosaic pieces. Plan a mosaic layout on a piece of cardboard. Sort the paper beads into different colour groupings before sticking them with glue onto the cardboard according to your design. Let it dry completely. A mosaic masterpiece is done!

#### QUESTIONS & COMMENTS

We treasure you as a customer and your satisfaction with this product is important to us. In case you have any comments or questions, or you find any parts of this kit missing or defective, please do not hesitate to contact our distributor in your country, whose address is printed on the package. You are also welcome to contact our marketing support team at Email: infodesk@4M-IND.com, Fax (852) 25911566, Tel (852) 28938241. Web site: WWW.4M-IND.COM

**⚠ WARNING:**  
CHOKING HAZARD – Small parts.  
Not for Children under 3 years.

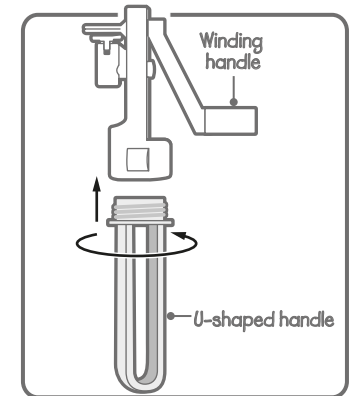
## GREEN CREATIVITY RECYCLED PAPER BEADS

#### A. SAFETY MESSAGES

1. Please read through these instructions before you start.
2. Adult assistance and supervision are required when using this kit.
3. This kit is intended for children aged over 5.
4. This kit and its finished products contain small parts which may cause choking if misused. Keep away from children under 3 years old.

#### B. CONTENTS

Paper bead winding tool with separate handle, patterned paper strips, elastic string, glue, plastic dabber with a foam end and detailed instructions.



#### C. ASSEMBLING INSTRUCTIONS

##### WINDING TOOL

The kit features a specially designed winding tool for making paper beads in a fun and easy way. The tool comes in two parts. Simply screw in the handle as shown in the diagram and you can start making your paper beads.

##### MAKING BEADS

To help you start quickly, there are preprinted coloured paper strips provided in this kit. Insert the wide end of the paper into the rods on the winding tool as shown in the diagram below. Wind the paper around the winding handle a few times. Support the paper with your finger tip to keep the paper centred as you wind it. Stop winding when there is about 5cm of paper left. Using the dabber provided, apply a thin layer of glue to the end of the paper, and continue to wind the bead. Carefully slide the bead off the winding tool. You have made a beautiful bead.

